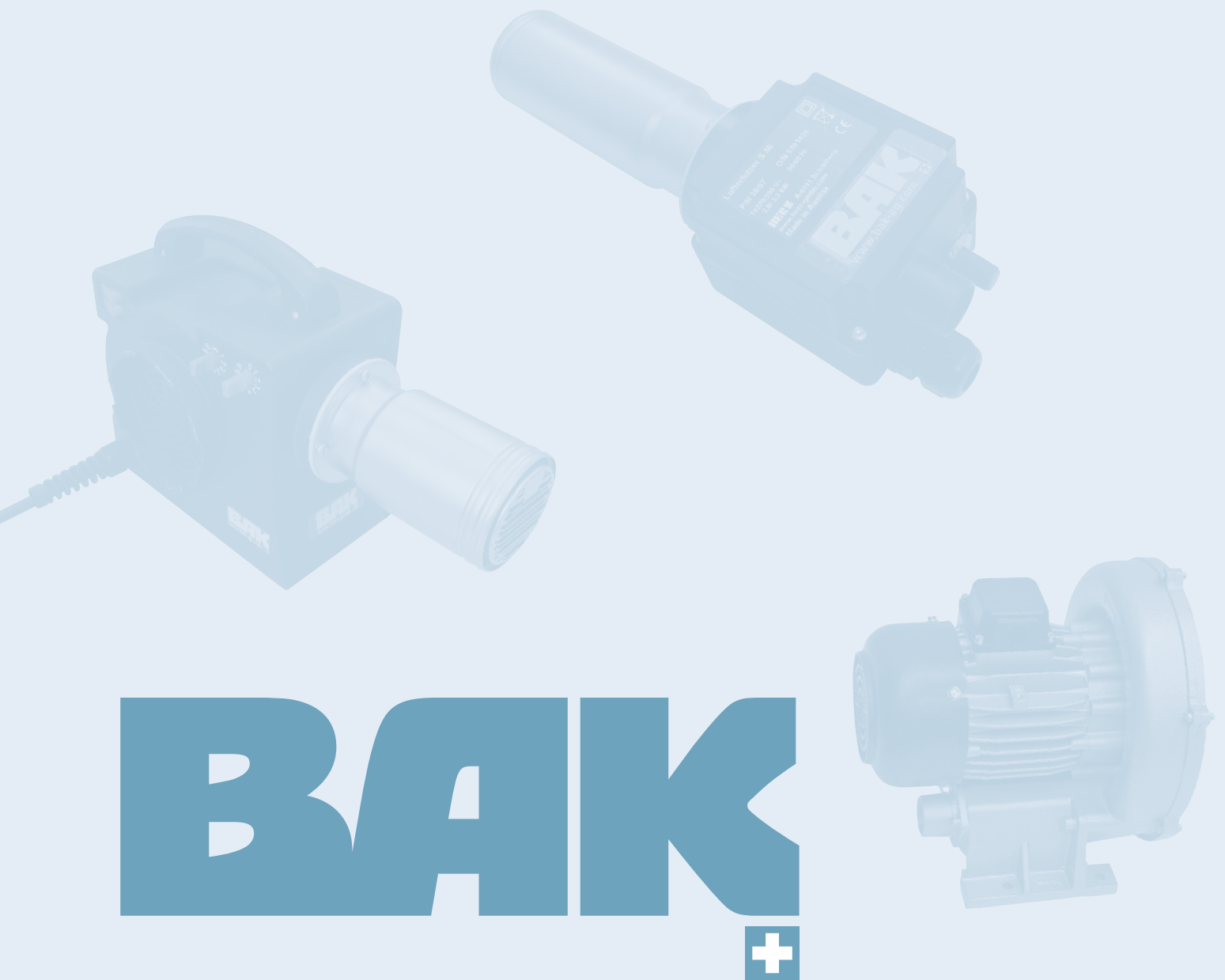


HEAT ON

Process heat Air heaters and blowers



BAK

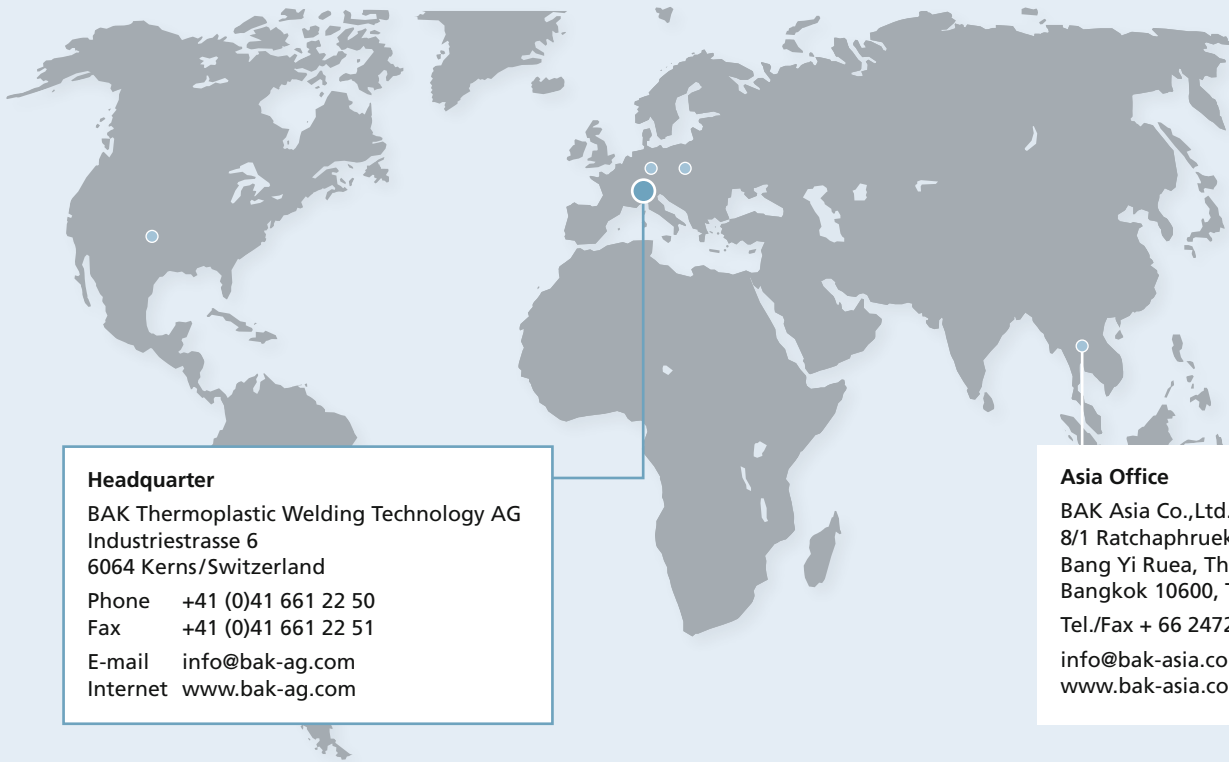


TECHSPANGROUP

Australia - Phone 1 800 148 791 info@plasticweldingtools.com.au www.plasticweldingtools.com.au

New Zealand - Phone (09) 827 6567 info@plasticweldingtools.co.nz www.plasticweldingtools.co.nz

HEAT ON



Headquarter

BAK Thermoplastic Welding Technology AG
Industriestrasse 6
6064 Kerns/Switzerland
Phone +41 (0)41 661 22 50
Fax +41 (0)41 661 22 51
E-mail info@bak-ag.com
Internet www.bak-ag.com

Asia Office

BAK Asia Co.,Ltd.
8/1 Ratchaphruek
Bang Yi Ruea, Thon Buri
Bangkok 10600, Thailand
Tel./Fax + 66 24724480
info@bak-asia.com
www.bak-asia.com

BAK Thermoplastic Welding Technology AG is a leading manufacturer of plastic welding equipment, extruders, air heaters and blowers.

We present the best solutions for plastic fabrication, pipe construction, roofing, civil engineering, tunnelling, process heat, tarpaulins, flooring and much more.

BAK is a traditional Swiss company with head quarter in Kerns, Obwalden. Our production- and development facilities are in Switzerland, Germany and Austria.

We are offering a wide range of machines and accessories:

- Hot air tools (hand held)
- Wedge welding machines
- Hand extrusion welders
- Industrial heaters
- Heating- & folding machines
- Hot air welding machines
- Hot air blowers
- Industrial extruder
- Industrial blowers
- Test equipment

BAK, quality wins! Best quality products and customer service are the most important to us!

Through our experience of many years and the continuous development within the market we make sure to only offer best quality and service to our demanding customers. We guarantee ideal customer service all over the world with the trustful partnership to our distributors who are placed in over 40 countries.

BLOWERS

from 1,45 – 16,5 m³/min

BAK high-pressure blower:

- low noise level
- maintenance-free
- compact design
- completely oil-free

BAK medium-pressure blower:

- high performance at compact design
- logical performance graduation
- long service life with low operation costs
- high efficiency
- favourable noise characteristics
- robust and hydrodynamic housings
- maintenance-free
- compact design
- completely oil-free

The operating temperature of the high-pressure blower may not exceed 60 °C and the operating temperature of the medium-pressure blower may not exceed 80 °C.

Special versions of the blower can have a temperature stability of up to a maximum of 180 °C (medium-pressure blower). On request, the blowers are also available for the use of frequency converters for speed control. Here, the motors are provided with a reinforced coil insulation. The technical data remains unchanged.

In the standard version the blowers are provided with a stainless steel filter on the intake side, which can be reused after it has been cleaned with compressed air. When a fine filter is used, the stainless steel filter can be removed.

Calculation of air heaters

1. Heat requirement calculation Formula: $Q = m \cdot c \cdot \Delta t$

Q = Heat quantity in kJ (kilojoule)

m = Mass in kg

c = Specific heat capacity in kJ/kg K (see value chart)

Δt = Temperature rise (target temperature – starting temperature)

2. Conversion Formula: $P = Q/3600$

P = Power in kW

Q = Heat quantity in kJ (kilojoule)

AIR HEATERS

from 450 – 21 000 watt

Practice-oriented

Type XS, S and M

- reliable configuration and dimensions
- flexible due to graduated heating units
- activation by potentiometer, controller or SPS

Type L and XL

- with and without integrated power unit
- with power control system via potentiometer, controller or SPS
- configuration of the activation can be modified at every service point

Innovative

Multifunctional due to modular layout; modern and functional design

Efficient service

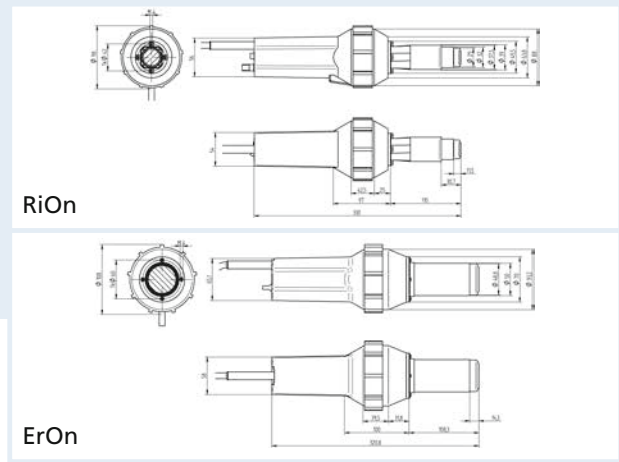
Reliable service within 24 hours; easy replacement of heating units by the user

Value table	Heat capacity (C)	Heat of fusion (Lf) = kJ/kg	Heat of evaporation (Lv) = kJ/kg K
Aluminium	0,896	355,9	11723
Lead	0,13	23,86	921,1
Iron (pure)	0,44	272,1	6364
Gold	0,13	66,99	1758
Graphite	0,712	16750	50242
Constantan	0,41		
Copper	0,381	209,3	4647
Brass	0,389	167,5	
Nickel	0,452	293,1	6196
Platinum	0,134	113	2512
Silver	0,234	104,7	2177
Silicon	0,741	141,5	14068
Tungsten	0,134	191,8	4815
Tin	0,23	58,62	2596
Alcohol	2,428	104,7	858
Benzene	1,738	127,3	389
Machine oil	1,675		
Mercury	0,138	11,72	301
Sulphuric acid	1,382	108,9	511
Water	4,187	333,7	2258
Ammonia	2,06	339,1	1369
Carbon dioxide	0,825	184,2	574
Air	1,001		197
Nitrogen	1,043	25,96	199
Hydrogen	14,24	58,62	461

The efficiency must be considered on the basis of radiation and exhaust air temperature.

We cannot assume any guarantee for the correctness of the information in the chart.

RION BL, ERON BL



Technical data		RiOn BL	ErOn BL
Order no.		6600185	6600189
Voltage	V	230	230
Capacity	W	1600	3400
Frequency	Hz	50/60	50/60
Temperature	°C	20–650	20–650
Air flow	l/min	approx. 250	approx. 600
Static pressure	Pa	approx. 3000	approx. 3000
Emission	dB	64	64
Measurements	mm	100x340, handle Ø 56	320x94, handle Ø 64
Weight incl. cable	kg	1,3	1,5
Conformity marking	CE		

Because of the self-developed brushless motor these tools are completely maintenance free and suitable for continuous operation. Therefore they are the perfect tools to build in machines.

Standard equipment

- Variable temperature setting
- Integrated tool protection

Special version

- External controller for heat (analog or digital)
- External controller for air flow (analog or digital)
- Analysis of motor speed
- Integrated thermocouple
- Integrated digital controller

Accessories	RiOn BL
Order no.	Description
5100303	Tubular nozzle (Ø 32mm) Ø 5 mm
5107123	Wide slot nozzle (Ø 32mm) 20 mm
5107132	Wide slot nozzle (Ø 32mm) 40 mm
5107124	Angled nozzle (Ø 32mm) 20mm, 90°
5107125	Angled nozzle (Ø 32mm) 20mm, 60°

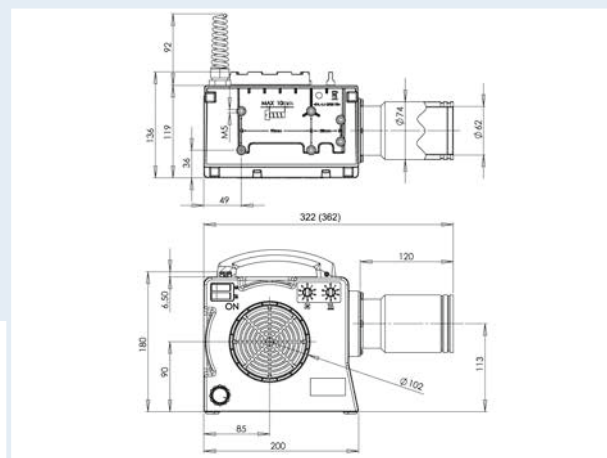
Accessories	ErOn BL
Order no.	Description
5107254	Connection flange Ø 50 mm
5107258	Wide slot nozzle (Ø 50mm) 70x10 mm
5107270	Wide slot nozzle (Ø 50mm) 150x12 mm
5107256	Angled nozzle (Ø 50mm) 160x100 mm

Special accessories and external control are available on request.

Equipment with different voltage and wattage are available on request.

Hot air blower

COMPACT



Technical data

Order no.		5102586	5102602	5102581	5102605	5102599
Voltage	VAC	230	230	230	400	400
Capacity	W	2300	3100	3700	4700	6100
Frequency	Hz	50/60	50/60	50/60	50/60	50/60
Max. temperature	°C	650	800	650	650	650
Min. air flow	l/min	400	350	400	400	550
Max. air flow at 20°C	l/min	940	800	930	960	950
Max. temperature by max. air flow	°C	260	520	440	480	630
Static pressure	Pa	450	450	450	450	450
Air outlet	∅ mm	62	62	62	62	62
Measurements	mm (l x w x h)	322 x 138 x 180	360 x 138 x 180	322 x 138 x 180	360 x 138 x 180	360 x 138 x 180
Weight incl. cable	kg	2,8	3,1	2,8	3,1	3,1
Protection category II		□				
Conformity marking		CE				

Standard equipment

- Variable temperature setting
- Variable air-flow setting
- Main switch that can be locked separately for heating and fan
- Integrated tool protection

Accessories

Order no.	Description
5107245	Round nozzle (∅ 62 mm) ∅ 40 mm
5107246	Connection flange ∅ 62 mmV
5107259	Wide slot nozzle (∅ 62 mm) 150x12 mm
5107260	Wide slot nozzle (∅ 62 mm) 85x15 mm
5107262	Wide slot nozzle (∅ 62 mm) 300x4 mm
5106177	Reflector 50x400 mm, for shrink capsules, with collateral flange
5107248	Stainless steel filter

Special version

- External controller for heat (analog or digital)
- External controller for air flow (analog or digital)
- Analysis of motor speed
- Integrated thermocouple
- Integrated digital controller

Special accessories and external control are available on request.

Equipment with different voltage and wattage are available on request.

TECHSPANGROUP

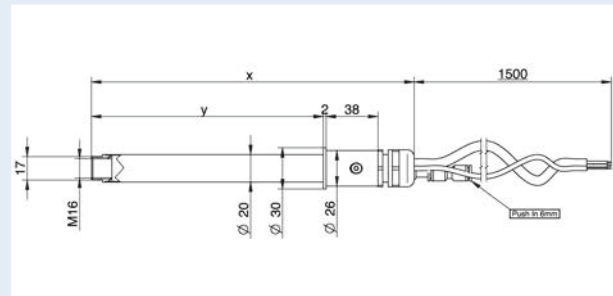
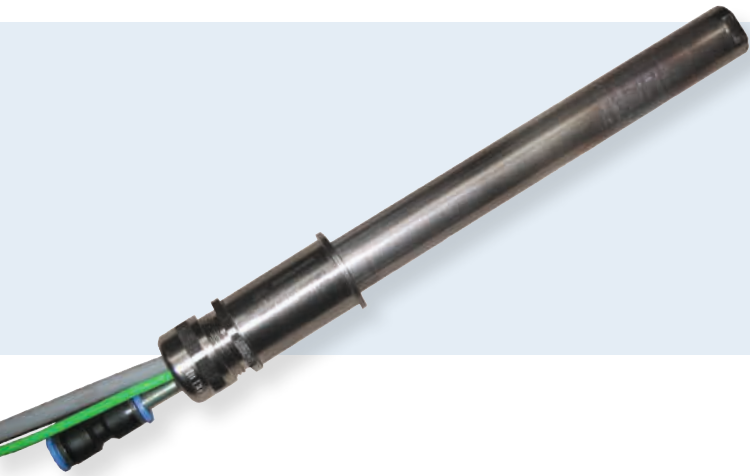
Australia - Phone 1 800 148 791 info@plasticweldingtools.com.au www.plasticweldingtools.com.au

New Zealand - Phone (09) 827 6567 info@plasticweldingtools.co.nz www.plasticweldingtools.co.nz

Air heater

XS20

from 450–2000 watt



Technical data

Order no.		5202412	5202414	5202416	5202418	5202420
Voltage	V	230	230	230	230	230
Power	W	450	800	1000	1500	2000
Frequency	Hz	50/60	50/60	50/60	50/60	50/60
Max. temperature	°C	650	650	650	650	650
Max. air pressure	Bar	6,0	6,0	6,0	6,0	6,0
Min. air flow	l/min	30	60	75	100	150
Thermocouple	Type "K"	included	included	included	included	included
Air connection	∅ mm	6	6	6	6	6
Air outlet	∅ mm	17	17	17	17	17
Dimensions	mm (length)	289x30	289x30	289x30	340x30	340x30
Weight	kg	0,42	0,42	0,42	0,50	0,50
Protection class I		⊕				
Marking		CE				

Special features

- Housing made from stainless steel
- Length of the connection cable and thermocouple line 1,5 m
- Air hose available per meter

Accessories

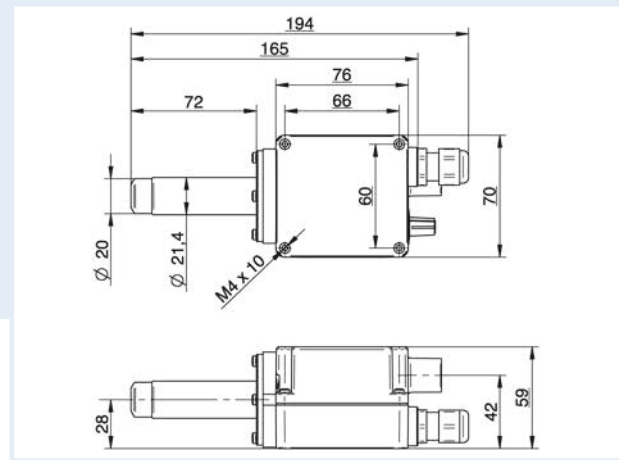
Order no.	Description
5202405	Screw fitting 6/4 with thread 1/8"
5202406	Solid state relay 230 V/12 A, activation 12 VDC
5202407	Cooling element for solid state relay
5202408	Digital controller 230 V (48x24 mm)

Different voltage and wattage possible on request.

Air heater

S21

up to 800 watt



Technical data

Order no.		5101351	5101354
Voltage	V	230	120
Power	W	800	550
Frequency	Hz	50/60	50/60
Max. temperature	°C	650	650
Min. air flow	l/min	210	150
Air connection	∅ mm	19	19
Air outlet	∅ mm	13	13
Dimensions	mm (l x w x h)	188 x 69,5 x 58	188 x 69,5 x 58
Weight	kg	0,3	0,3
Protection class II	□		
Marking	CE		

Accessories

Order no.	Description
5107282	Connection flange ∅ 21 mm
5107144	Tubular nozzle ∅ 5 mm

Different voltage, wattage and special versions, such as external activation via controller or SPS possible.

Special accessories on request.

TECHSPANGROUP

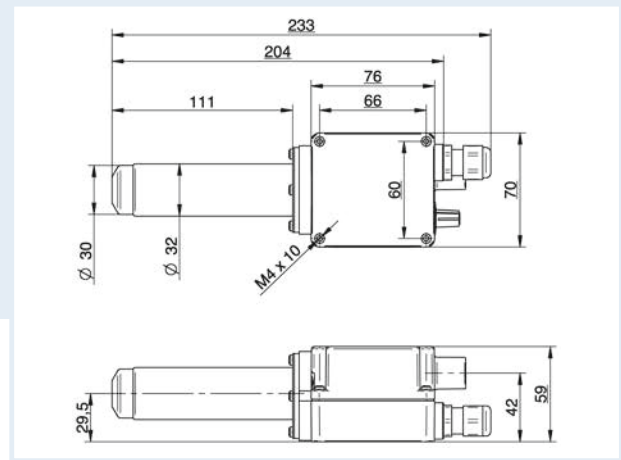
Australia - Phone 1 800 148 791 info@plasticweldingtools.com.au www.plasticweldingtools.com.au

New Zealand - Phone (09) 827 6567 info@plasticweldingtools.co.nz www.plasticweldingtools.co.nz

Air heater

S32

from 1550–2000 watt



Technical data

Order no.		5101340	5101355	5101357
Voltage	V	230	230	230
Power	W	1000	1550	2000
Frequency	Hz	50/60	50/60	50/60
Max. temperature	°C	650	650	650
Min. air flow	l/min	170	230	430
Air connection	∅ mm	19	19	19
Air outlet	∅ mm	16	16	16
Dimensions	mm (l x w x h)	228 x 69,5 x 58	228 x 69,5 x 58	228 x 69,5 x 58
Weight	kg	0,4	0,4	0,4
Protection class II		<input type="checkbox"/>	<input type="checkbox"/>	<input type="checkbox"/>
Marking		CE	CE	CE

Accessories

Order no.	Description
5100303	Tubular nozzle (∅ 32 mm) ∅ 5 mm
5105475	Wide slot nozzle (∅ 32 mm) 20x2 mm

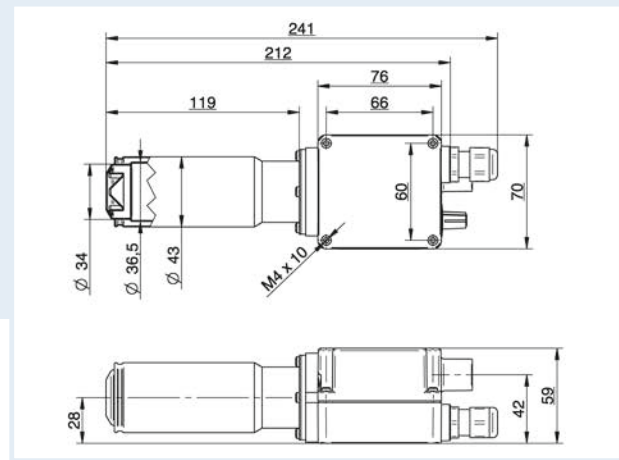
Different voltage, wattage and special versions, such as external activation via controller or SPS possible.

Special accessories on request.

Air heater

S36

up to 3300 watt



Technical data

Order no.		5101428	5101426	5101436
Voltage	V	230	230	120
Power	W	2300	3300	2200
Frequency	Hz	50/60	50/60	50/60
Max. temperature	°C	650	650	650
Min. air flow	l/min	280	420	280
Air connection	Ø mm	19	19	19
Air outlet	Ø mm	22	22	22
Dimensions	mm (l x w x h)	237 x 69,5 x 58	237 x 69,5 x 58	237 x 69,5 x 58
Weight	kg	0,5	0,5	0,5
Protection class II		<input checked="" type="checkbox"/>		
Marking		CE		

Accessories

Order no.	Description
5107250	Connection flange Ø 37 mm
5107003	Angle nozzle 90° (Ø 37 mm) Ø 12 mm
5107261	Wide slot nozzle (Ø 37 mm) 70x4 mm

Different voltage, wattage and special versions, such as external activation via controller or SPS possible.

Special accessories on request.

TECHSPANGROUP

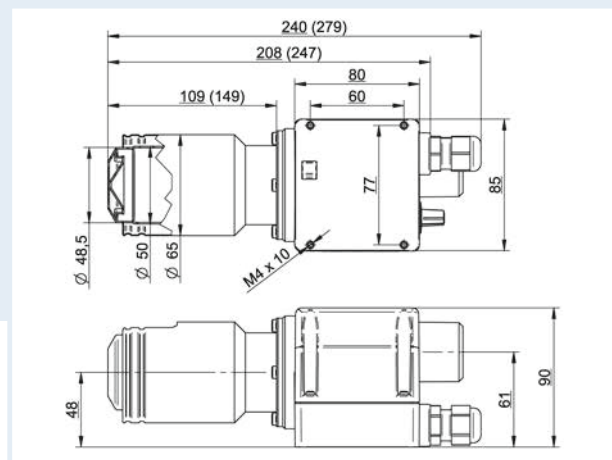
Australia - Phone 1 800 148 791 info@plasticweldingtools.com.au www.plasticweldingtools.com.au

New Zealand - Phone (09) 827 6567 info@plasticweldingtools.co.nz www.plasticweldingtools.co.nz

Air heater

M50, M50L

from 2200–7400 watt



Technical data	M50			M50L		
	Order no.	5101801	5101796	5101806	5112686	5112688
Voltage	V	230	230	400	400–480	400–440
Power	W	2200	3700	4500	4600–6600	6100–7400
Frequency	Hz	50/60	50/60	50/60	50/60	50/60
Max. temperature	°C	650	650	650	650	650
Min. air flow	l/min	260	360	490	600	830
Air connection	∅ mm	38	38	38	38	38
Air outlet	∅ mm	30	30	30	30	30
Dimensions	mm (l x w x h)	239 x 85 x 90	239 x 85 x 90	239 x 85 x 90	278 x 85 x 90	278 x 85 x 90
Weight	kg	0,8	0,8	0,8	0,9	0,9
Protection class II		<input checked="" type="checkbox"/>				
Marking	CE					

Accessories

Order no.	Description
5107254	Connection flange ∅ 50 mm
5107256	Angle nozzle (∅ 50 mm) 160x100 mm
5107258	Wide slot nozzle (∅ 50 mm) 70x10 mm
5107270	Wide slot nozzle (∅ 50 mm) 150x12 mm

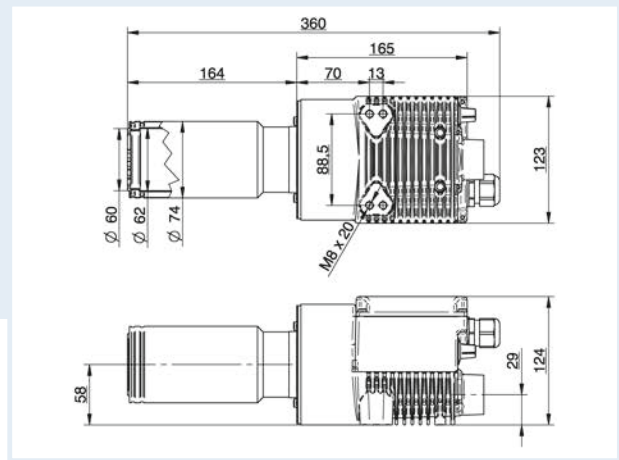
Different voltage, wattage and special versions, such as external activation via controller or SPS possible.

Special accessories on request.

Air heater

L62

from 4300 – 10500 watt



Technical data

Order no.		5102156	5102169	5102174
Voltage	V	230	400–480	400–480
Power	W	4300	5800–8400	8600–12400
Frequency	Hz	50/60	50/60	50/60
Max. temperature	°C	700	700	700
Min. air flow	l/min	460	520	600
Air connection	∅ mm	38	38	38
Air outlet	∅ mm	62	62	62
Dimensions	mm (l x w x h)	355 x 123 x 124	355 x 123 x 124	355 x 123 x 124
Weight	kg	2,9	2,9	2,9
Protection class I	⊕			
Marking	CE			

Accessories

Order no.	Description
5107245	Round nozzle (∅ 62 mm) ∅ 40 mm
5107246	Connection flange ∅ 62 mm
5107259	Wide slot nozzle (∅ 62 mm) 150 x 12 mm
5107260	Wide slot nozzle (∅ 62 mm) 85 x 15 mm
5107262	Wide slot nozzle (∅ 62 mm) 300 x 4 mm
5107265	Angle nozzle (∅ 62 mm) 120 x 112 mm

Different voltage, wattage and special versions, such as external activation via controller or SPS possible.

Special accessories on request.

TECHSPANGROUP

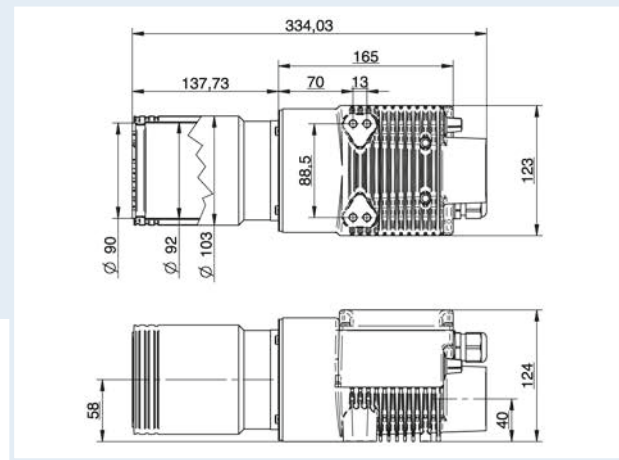
Australia - Phone 1 800 148 791 info@plasticweldingtools.com.au www.plasticweldingtools.com.au

New Zealand - Phone (09) 827 6567 info@plasticweldingtools.co.nz www.plasticweldingtools.co.nz

Air heater

XL92

from 5900–21 000 watt



Technical data

Order no.		5102761	5102760	5102765
Voltage	V	400–480	400–480	400–440
Power	W	5900–8500	11 800–17 000	17 400–21 000
Frequency	Hz	50/60	50/60	50/60
Max. temperature	°C	650	650	650
Min. air flow	l/min	560	950	1480
Air connection	∅ mm	60	60	60
Air outlet	∅ mm	92	92	92
Dimensions	mm (l x w x h)	330 x 123 x 124	330 x 123 x 124	330 x 123 x 124
Weight	kg	3,3	3,3	3,3
Protection class I	⊕			
Marking	CE			

Accessories

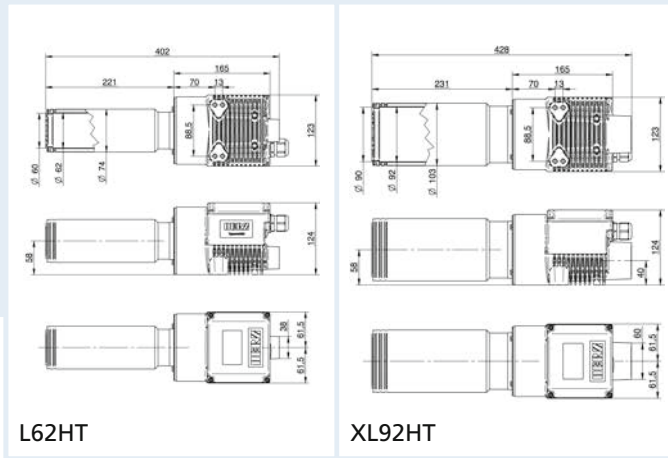
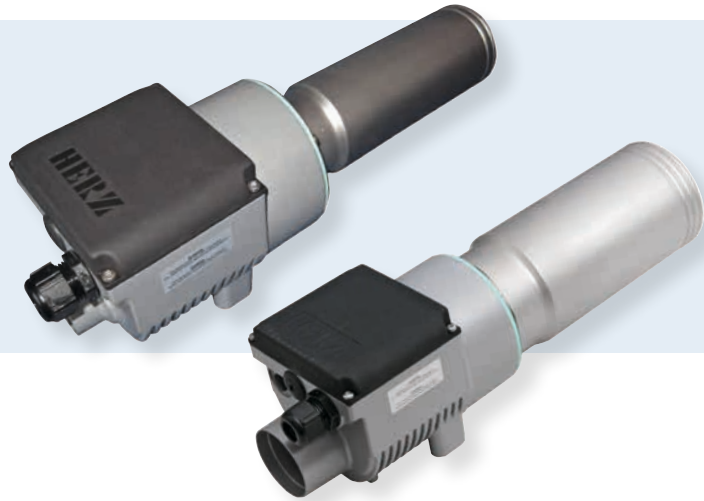
Order no.	Description
5107244	Round nozzle (∅ 92 mm) ∅ 50 mm
5107275	Connection flange ∅ 92 mm
5107273	Extension tube (∅ 92 mm) 500x60 mm
5107274	Wide slot nozzle (∅ 92 mm) 130x17 mm
5107272	Wide slot nozzle (∅ 92 mm) 300x12 mm
5107267	Wide slot nozzle (∅ 92 mm) 500x15 mm

Different voltage, wattage and special versions, such as external activation via controller or SPS possible.

Special accessories on request.

High temperature air heater

L62HT, XL92HT



L62HT

XL92HT

Technische Daten		L62HT	XL92HT
Order no.		5108717	5110568
Voltage	V	400–480	400–480
Power	W	11 000–15 900	15 000–21 600
Frequency	Hz	50/60	50/60
Max. temperature	°C	900	900
Min. air flow	l/min	600	1000
Air connection	mm	60	60
Air outlet	mm	62	92
Dimensions	mm (l x w x h)	417 x 124 x 124	429 x 124 x 124
Weight	kg	3,2	3,5
Marking	CE		

Zubehör

Order no.	Description
5107245	Round nozzle (∅ 62 mm) ∅ 40 mm
5107246	Connection flange ∅ 62 mm
5107259	Wide slot nozzle (∅ 62 mm) 150 x 12 mm
5107244	Round nozzle (∅ 92 mm) ∅ 50 mm
5107275	Connection flange ∅ 92 mm
5107272	Wide slot nozzle (∅ 92 mm) 300 x 12 mm

Different voltage, wattage and special versions, such as external activation via controller or SPS possible.

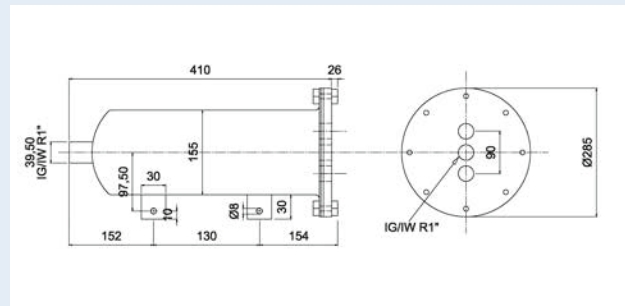
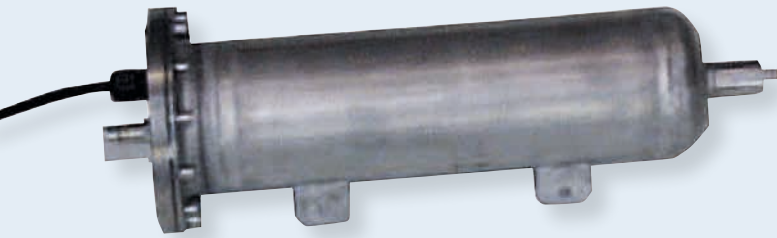
Special accessories on request.

TECHSPANGROUP

Australia - Phone 1 800 148 791 info@plasticweldingtools.com.au www.plasticweldingtools.com.au

New Zealand - Phone (09) 827 6567 info@plasticweldingtools.co.nz www.plasticweldingtools.co.nz

PRESSURE-RESISTANT from 3300 – 14300 watt



The small dimensions of the gas-tight air heater enables space-saving installation. If one or several heaters are connected to the compressed air network, you will receive an air flow with high air speed. The temperature can be controlled electronically to 100 %. The hot air stream is used in drying processes, soldering processes, etc. Due to the robust design, this device is suitable for the most demanding use.

Special features

- Gas-tight, pressure-resistant
- Reliable protection of heating element due to the integrated electronics
- Optionally integrated thermocouple
- External activation via controller or SPS possible
- External potentiometer possible
- Connection cable with a length of 3 meters is standard, a circuit breaker with two poles must be provided on the main side

Technical data		S	M	XL
Order no.		5201190	5201191	5201193
Voltage	V	230	230	400–440
Power	W	3300	3700	11800–14300
Frequency	Hz	50/60	50/60	50/60
Max. temperature	°C	600	600	600
Max. air pressure	Bar	10,0	10,0	10,0
Min. air flow	l/min	420	360	950
Air connection	Ø	½"	1½"	2"
Air outlet	Ø	½"	1½"	2"
Dimensions	mm (l x w x h)	350 x 160	442,5 x 285	575 x 340
Weight	kg	4,7	16,5	24,0
Protection class I	⊕			
Marking	CE			

Attention:

- Observe the minimum air quantity
- Supply only dry and oil-free air
- The heaters are only suitable for stationary use in plant and machines
- Incorrect use of air heaters may cause fire hazard
- The air heaters correspond to protection class 1 and must be connected by qualified personnel
- Observe operating instructions

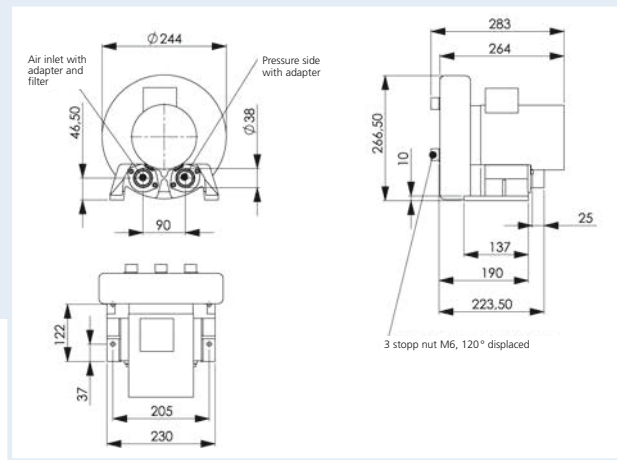
Different voltage, wattage and special versions, such as external activation via controller or SPS possible.

Special accessories on request.

High-pressure blower

HD140

1,45 m³/min – 14 000 Pa



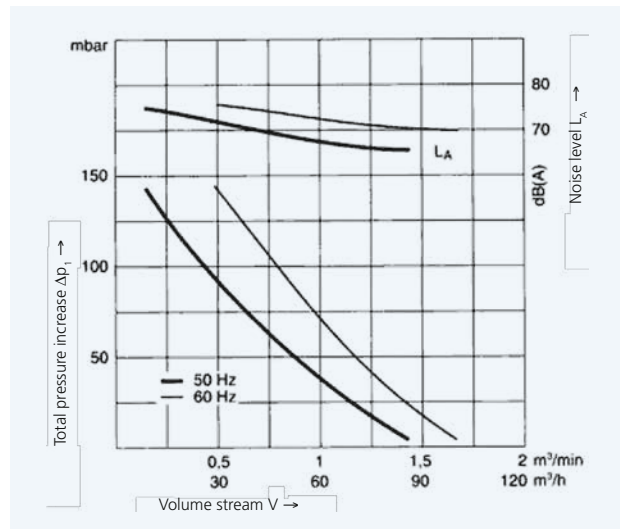
Technical data

Order no.	5103429			Design	Side channel blower			
Volumetric current	Total pressure difference	Voltage	Frequency	Current consumption	Speed	Motor power	Noise pressure level	Weight
m ³ /min	Pa	V	Hz	A	rpm	kW	LpA (db)	kg
1,45	14 000	3 x 230–440	50	1,1–2,45	2825	0,44	65	11,3
1,70	14 000	3 x 230–480	60	1,2–2,25	3410	0,56	70	11,3

Inlet port	Ø 38 mm (exterior)
Outlet port	Ø 38 mm (exterior)
Dimensions (l x w x h)	283 x 244 x 266,5
Ambient temperature	–20 °C to +60 °C
Type of protection	IP 54
Optionally 1 x 230 V	Capacitor 230 V; 40 µF/V

Accessories

Order no.	Description
5108623	Capacitor kit 1 x 230 V
5107293	Hose coupling Ø 36 mm, 2 outlets Ø 36 mm
5107298	Hose coupling Ø 36 mm, 2 outlets Ø 19 mm
5107286	Air hose Ø 38 mm
5107287	Hose clip 38 mm
5107350	Air hose Ø 19 mm
5107290	Hose clip 19 mm



In the blowers, a stainless steel filter is standard at the intake connection.

Special accessories on request.

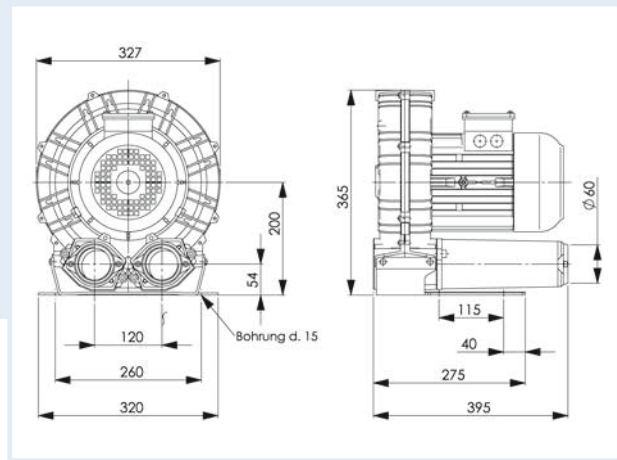
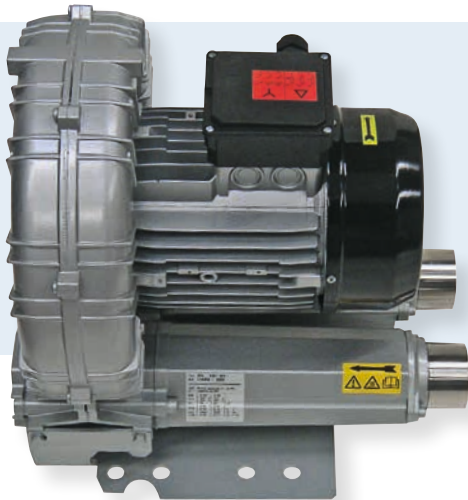
TECHSPANGROUP

Australia - Phone 1 800 148 791 info@plasticweldingtools.com.au www.plasticweldingtools.com.au
New Zealand - Phone (09) 827 6567 info@plasticweldingtools.co.nz www.plasticweldingtools.co.nz

High-pressure blower

HD240

3,65 m³/min – 27 000 Pa



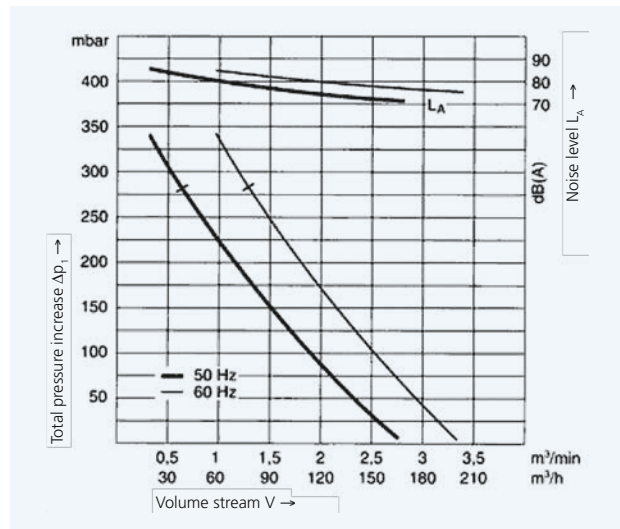
Technical data

Order no.	5100200		Design	Side channel blower				
Volumetric current	Total pressure difference	Voltage	Frequency	Current consumption	Speed	Motor power	Noise pressure level	Weight
m ³ /min	Pa	V	Hz	A	rpm	kW	LpA (db)	kg
3,65	27 000	3 x 230–400	50	5,1	2900	2,20	68,8	26,5
4,42	26 000	3 x 460	60	5,1	3500	2,55	70,8	26,5

Inlet port	Ø 60 mm (exterior)
Outlet port	Ø 60 mm (exterior)
Dimensions (l x w x h)	397 x 327 x 365
Ambient temperature	–20 °C to +60 °C
Type of protection	IP 54

Accessories

Order no.	Description
5107278	Hose coupling Ø 60 mm, 2 outlets Ø 60 mm
5107291	Hose coupling Ø 60 mm, 1 outlet Ø 38 mm
5107293	Hose coupling Ø 36 mm, 2 outlets Ø 36 mm
5107288	Air hose Ø 60 mm
5107285	Hose clip 60 mm
5107286	Air hose Ø 38 mm
5107287	Hose clip 38 mm



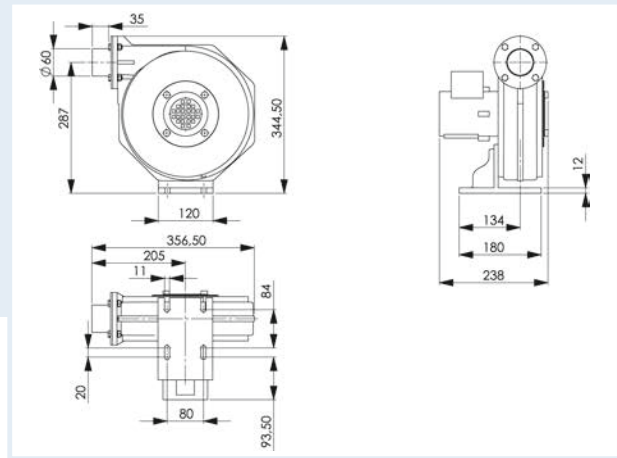
In the blowers, a stainless steel filter is standard at the intake connection.

Special accessories on request.

Medium-pressure blower

MD10

4,9 m³/min – 1000 Pa



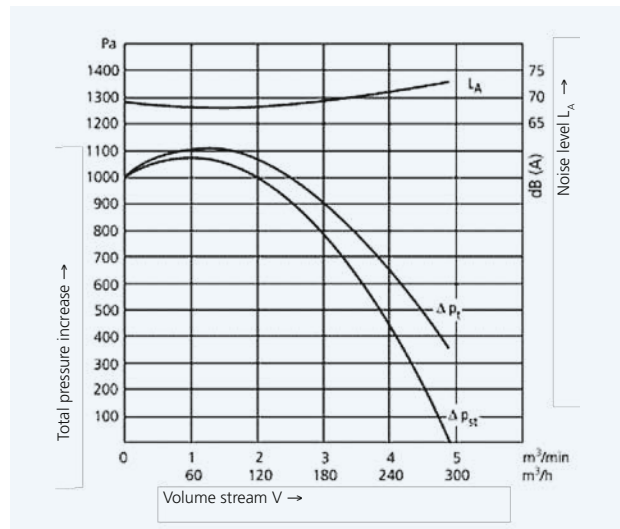
Technical data

Order no.	5103507		Design	Centrifugal blower				
Volumetric current	Total pressure difference	Voltage	Frequency	Current consumption	Speed	Motor power	Noise pressure level	Weight
m ³ /min	Pa	V	Hz	A	rpm	kW	LpA (db)	kg
4,9	1000	3 x 200–480	50	0,26–0,48	2750	0,075	73	8,5
5,2	1200	3 x 200–480	60	0,32–0,59	3120	0,14	76	8,5

Inlet port	Ø 70 mm
Outlet port	Ø 60 mm (exterior)
Dimensions (l x w x h)	231 x 356,5 x 344,5
Ambient temperature	–20 °C to +60 °C
Type of protection	IP 54
Optionally 1 x 230 V	Capacitor 230 V; 8 µF/V

Accessories

Order no.	Description
5110887	Capacitor kit 1 x 230 V
5107278	Hose coupling Ø 60 mm, 2 outlets Ø 60 mm
5107291	Hose coupling Ø 60 mm, 1 outlet Ø 38 mm
5107293	Hose coupling Ø 36 mm, 2 outlets Ø 36 mm
5107288	Air hose Ø 60 mm
5107285	Hose clip 60 mm
5107286	Air hose Ø 38 mm
5107287	Hose clip 38 mm



In the blowers, a stainless steel filter is standard at the intake connection.

Special accessories on request.

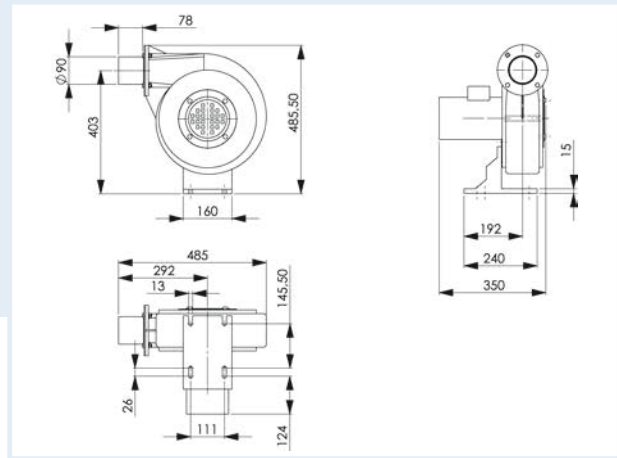
TECHSPANGROUP

Australia - Phone 1 800 148 791 info@plasticweldingtools.com.au www.plasticweldingtools.com.au
New Zealand - Phone (09) 827 6567 info@plasticweldingtools.co.nz www.plasticweldingtools.co.nz

Medium-pressure blower

MD14

16,5 m³/min – 1400 Pa



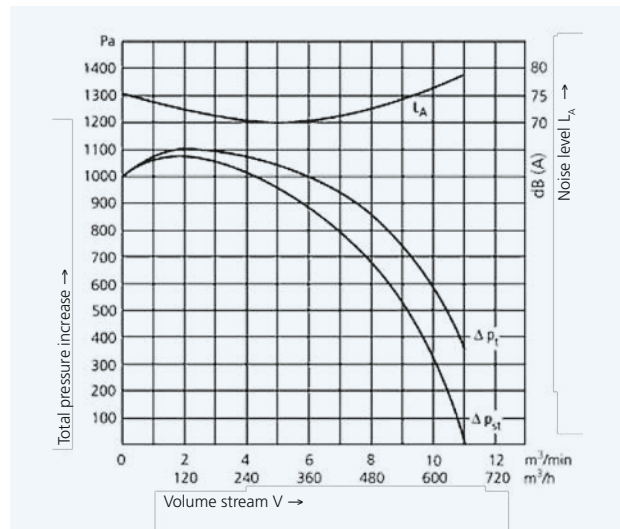
Technical data

Order no.	5103527		Design	Centrifugal blower					
Volumetric current	Total pressure difference	Voltage	Frequency	Current consumption	Speed	Motor power	Noise pressure level	Weight	
m ³ /min	Pa	V	Hz	A	rpm	kW	LpA (db)	kg	
16,5	1400	3 x 200–480	50	0,9–2,6	2825	0,37	76	17,0	
19,5	2000	3 x 200–480	60	1,15–2,25	3340	0,55	77	17,0	

Inlet port	Ø 125 mm
Outlet port	Ø 90 mm (exterior)
Dimensions (l x w x h)	345 x 485 x 485,5
Ambient temperature	–20 °C to +60 °C
Type of protection	IP 54
Optionally 1 x 230 V	Capacitor 230 V; 30 µF/V

Accessories

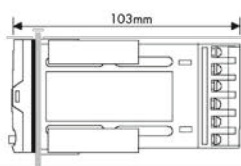
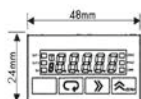
Order no.	Description
5103523	Capacitor kit 1 x 230 V
5107238	Hose coupling Ø 90 mm, 2 outlets Ø 60 mm
5107278	Hose coupling Ø 60 mm, 2 outlets Ø 60 mm
5107291	Hose coupling Ø 60 mm, 1 outlet Ø 38 mm
5107293	Hose coupling Ø 36 mm, 2 outlets Ø 36 mm
5107288	Air hose Ø 60 mm
5107285	Hose clip 60 mm
5107286	Air hose Ø 38 mm
5107287	Hose clip 38 mm



In the blowers, a stainless steel filter is standard at the intake connection.

Special accessories on request.

ACCESSORIES



Digital temperature control unit 48x24

Ideal for regulating temperatures of BAK air heaters

This model is a multifunctional PID temperature control unit in 1/16 DIN size (48x24 mm) with self-optimisation.

Exact regulation

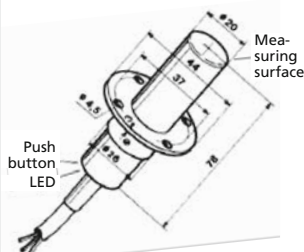
A reliable PID control algorithm enables a stable "straightforward" regulation of the process.

Universal input

The universal input circuit is provided with an analogue-to-digital converter. This converter scans the input with 9 Hz and constantly corrects the drift. That ensures high process stability and enables fast reactions to changes.

Easy operation

A bright, clearly visible LED display shows the actual value and the error message. The nominal value can be changed by pressing the +/- buttons.



M2compact (DC) Air flow monitor

Technical data

Output	PNP shutter
Monitoring area	1–16 m/s
Default setting	3 m/s
Response time	2–10 s
Readiness delay	30 s
Operational voltage	24 V DC
Duration current carrying capacity	0–200 mA
Short circuit – overcurrent protection	yes

No-load current	< 40 mA
Voltage drop	< 2 V
Switching hysteresis	max. 15 %
Ambient temperature	–10 bis +60 °C
Type of protection	IP 67
Connection type	2 m cable
Function indicator	Duo-LED red/green
Housing material	plastic



Air volume control

Manual air volume control for connection to blower flange on pressure side of BAK high and medium-pressure blowers.

Pneumatic air supply shut-off mechanism for connection to blower flange on pressure side of BAK high and medium-pressure blowers.

Order no.	Description
5108755	Manual air flow controller for Ø 38/40 mm hose
5107295	Manual air flow controller for Ø 60/62 mm hose

Best.-Nr.	Description
5107299	Pneumatic air flow on/off switch for Ø 38/40 mm hose
5107296	Pneumatic air flow on/off switch for Ø 60/62 mm hose

HeatOn-GROUP

— YOUR BEST CHOICE —

Consulting - Sales - Training - Service - Development

TECHSPANGROUP

Australia - Phone 1 800 148 791 info@plasticweldingtools.com.au www.plasticweldingtools.com.au

New Zealand - Phone (09) 827 6567 info@plasticweldingtools.co.nz www.plasticweldingtools.co.nz



TECHSPANGROUP

Australia - Phone 1 800 148 791 info@plasticweldingtools.com.au www.plasticweldingtools.com.au

New Zealand - Phone (09) 827 6567 info@plasticweldingtools.co.nz www.plasticweldingtools.co.nz